

# Portable Feed Hoppers

**SUPERIOR**



## Move Fast

Equipped to reduce downtime, our Portable Feed Hoppers are designed to move from quarry to quarry quick and easy.

- ▶ Place the unit and adjust discharge conveyor height to begin production
- ▶ Single axle, dual wheels and fifth wheel hitch
- ▶ Complete air brake package with lights

## High Quality Construction

Heavy duty, durable construction is designed to handle a tough, abusive quarry environment.

- ▶ Steel flat bar flashing in place of rubber skirting prevents spillage
- ▶ Heavy duty carrier wide flange beam construction
- ▶ Optional full length sheet metal side guard protects belt feeder

## Versatile Grizzly System

Maintenance-friendly grizzly system is customized to your specifications.

- ▶ Bars made of triangle design to resist material buildup
- ▶ Bi-directional dump
- ▶ Optional wireless remote control
- ▶ Adjustable spacing

## Warranty and Support

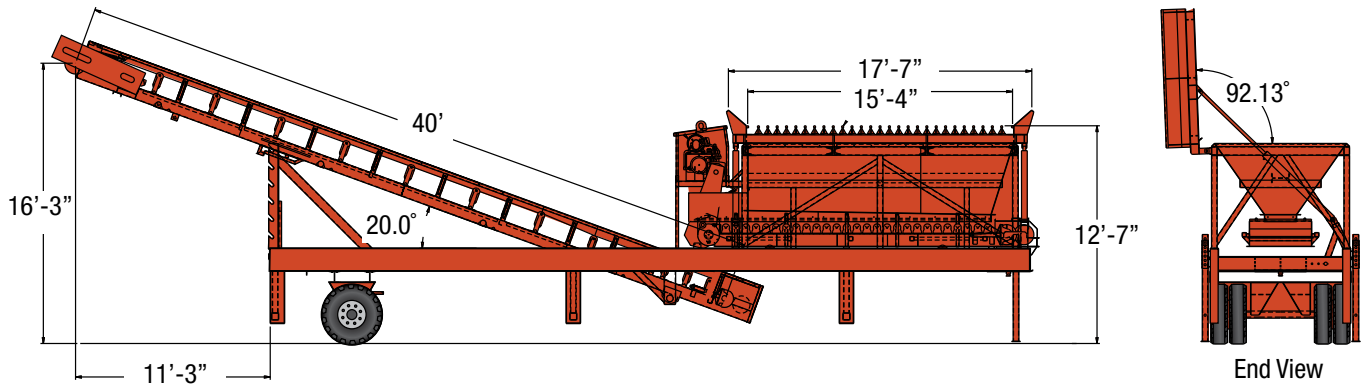
Built strong for the years of work ahead, our products are backed by the strongest warranty programs in the industry.

- ▶ 5 year complete structural warranty
- ▶ 2 year complete conveyor warranty
- ▶ 2 year complete components warranty

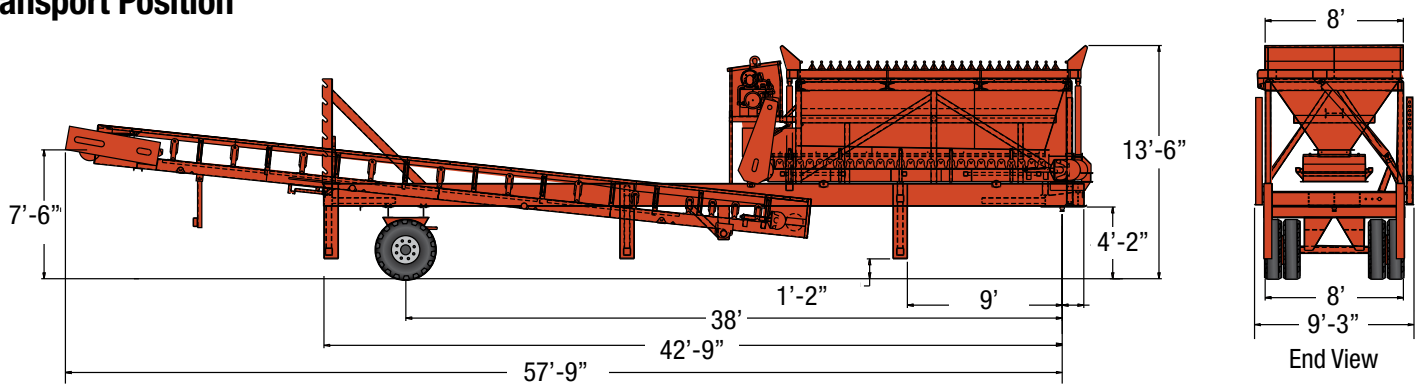


# Portable Feed Hoppers

## Operating Position



## Transport Position



For more information or to locate a dealer near you:  
[www.superior-ind.com](http://www.superior-ind.com) or call 1-800-321-1558



© 2009 Superior Industries, LLC. B-127